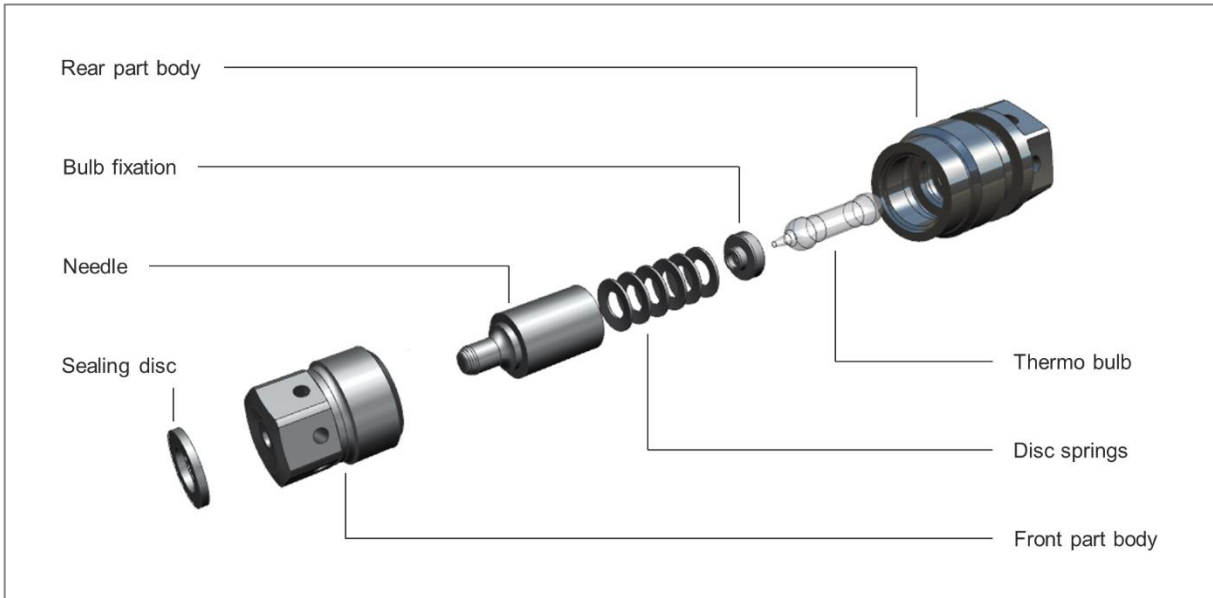




Thermal Pressure Relief Device (TPRD) 1.3

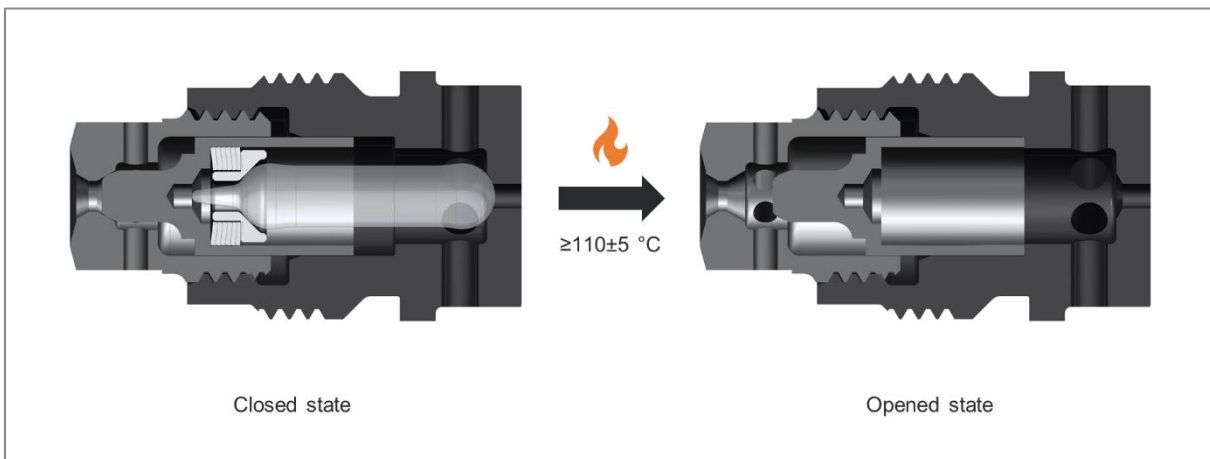
Item No 016280-K

Product specification

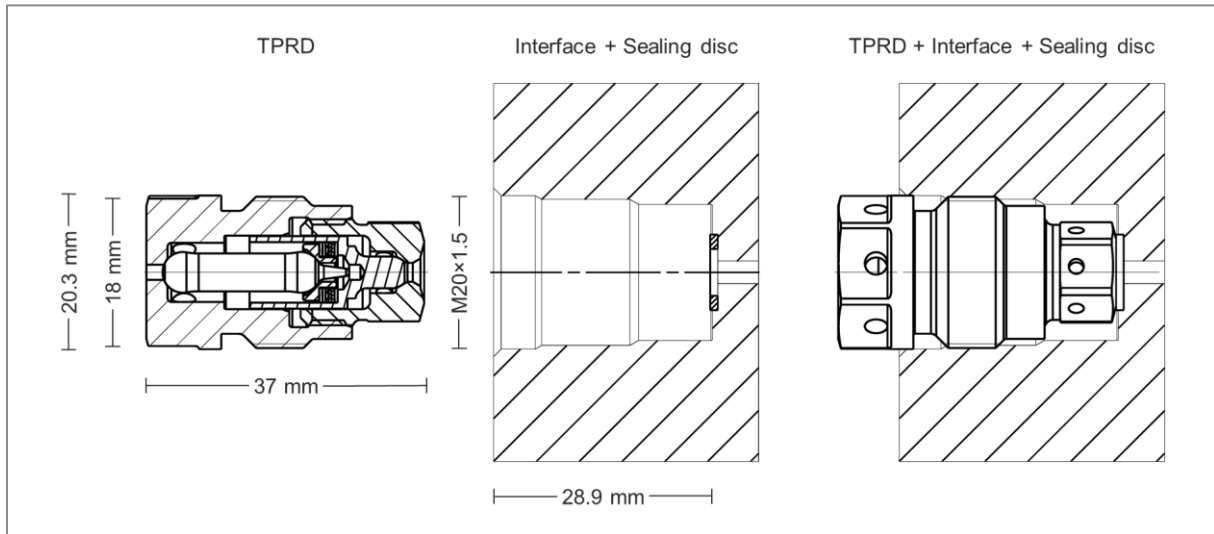


The **Thermal Pressure Relief Device (TPRD) 016280-K** is used to secure gas storage tanks in the event of a fire by ensuring rapid and spatially targeted degassing at elevated temperatures whilst preventing the tanks from bursting.

With its optimized design, it enables the compliance of individual customer requirements with the possibility of usage at various tank positions.



Technical features

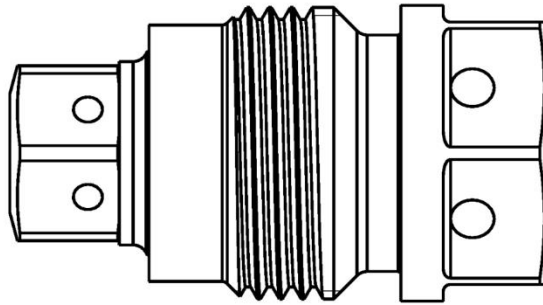


Thermal Pressure Relief Device (TPRD)	
Technical data	
Diameter	20.3 mm
Min. Flow diameter	2.5 mm
Height TPRD	37 mm
Height TPRD (mounted)	9 mm
Weight TPRD	approx. 20 g
Material	Aluminum, Stainless steel, Glass
Thermo bulb	JOB Type F5-XS PRD
Sealing type	Metal-to-metal
Interface Thread definition	M20x1.5
Operating conditions	
Operating temperature	-40 to +85 °C
Nominal working pressure	700 bar
Maximum allowed working pressure	875 bar
Proof pressure	1050 bar
Leakage before burst	1200 bar
Ambient pressure (validation pending)	
Ambient humidity (validation pending)	
Working cycles (hydraulic, 4 Hz, 50–1050 bar)	>2000000
Medium	Hydrogen, CNG, LPG
Leak rate (Forming gas 95/5, RT, 1050 bar)	0.39 Ncm ³ /h

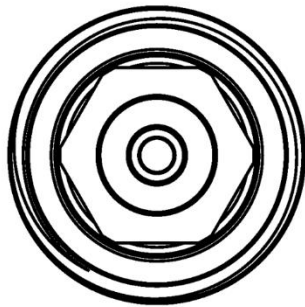
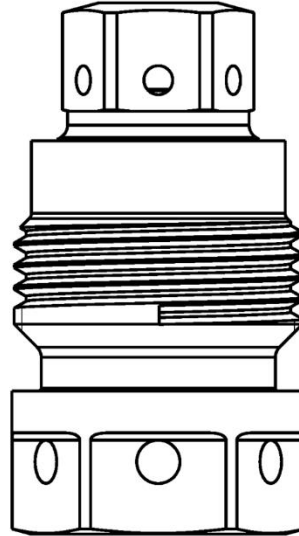
Thermal Pressure Relief Device (TPRD)	
Trigger conditions	
Trigger temperature	110±5 °C
Trigger time @ 150 °C	approx. 400 s
Trigger time @ 185 °C	approx. 320 s
Trigger time @ 200 °C (validation pending)	
Trigger time @ 600 °C (validation pending)	
Pressure relief rate (validation pending)	40 l from 700 bar to 10 bar @ 15 °C 60 l from 700 bar to 100 bar @ 15 °C
Min. Cv (validation pending)	
Delivery state	
Cleanliness ISO 16232-10:2007: CCC = N(F-G9/H5/I2/J00)	
Traceability	batchwise
Recyclability (validation pending)	

Technical features

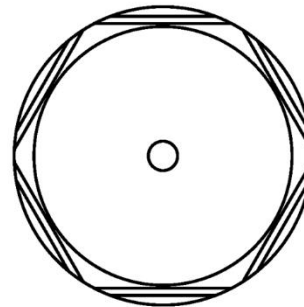
Different perspectives



Side views



Front view (on Front part body)



Back view (on Rear part body)

Certification & safety information

The product may only be used after installation by qualified personnel according to the corresponding installation guide. Usage for production of commercial goods is only permitted in certified countries. Otherwise, the product may only be used for testing purposes.

Certificates

Europe

EC 79/2009 / EU406/2010	Tests passed
-------------------------	--------------

UN/ECE R134	Certification pending
-------------	-----------------------

Greater China (China, Taiwan, Hong Kong, Macau)

GB/T 35544-2017	Certification pending
-----------------	-----------------------

EC 79/2009 / EU406/2010	Tests passed
-------------------------	--------------

North America (USA, Canada)

HGV 3.1-2015	Certification pending
--------------	-----------------------

Poppe + Potthoff GmbH

Dammstraße 17

32824 Werther

Deutschland

Phone: +49 (0) 5203 9166 0

Fax: +49 (0) 5203 9166 100

info@poppe-potthoff.com

www.poppe-potthoff.com

